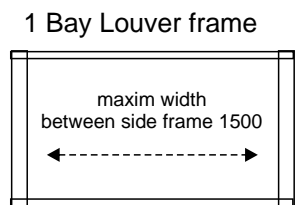
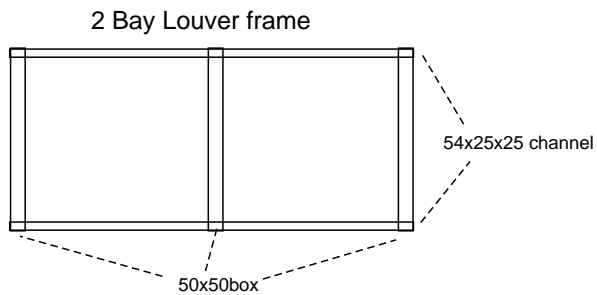
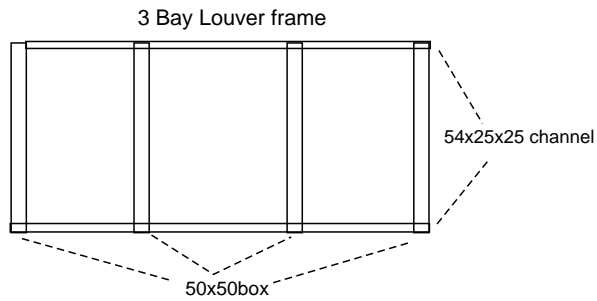
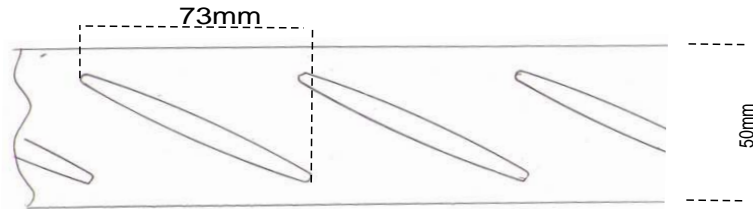


# Eco awnings Fixed welded Louver with canter lever Brackets



Roland Segaert 0405 53 38 39  
 Sales@ecoawnings.com.au  
 www.ecoawnings.com.au  
 0405 533839 1300 880 673  
 PO BOX 254 Cherrybrook NSW 2126



50x50 x6mm right angle

